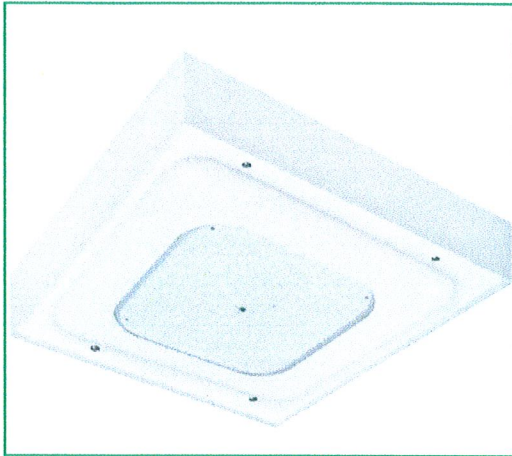


LI Gx1300

LED SURFACE MOUNT - LEGACY™ (CRUS SM)



US & Int'l. patents pending.

HOUSING - One-piece, die-formed, aluminum housing with powder coated finish. One conduit knockout and four mounting holes.

LEDS - Features an array of select, mid-power, high brightness, high efficiency LED chips; 5000K color temperature, 70 CRI (nominal).

DRIVE CURRENT - Choice of Very Low Wattage (VLW), Low Wattage (LW) and Super Saver (SS).

OPTICS / DISTRIBUTION - Symmetrical, which directs light through a glass lens to provide a uniform distribution of light to vertical and horizontal surfaces.

OPTICAL UNIT - Features an ultra-slim 7/8" profile die cast housing, with a standard flat clear or diffused glass lens. Unit is water-resistant, sealed to an IP67 rating. Integral designed heat sink does not trap dirt and grime, ensuring cool running performance over the life of the fixture.

PRESSURE STABILIZING VENT - Luminaire assembly incorporates a pressure stabilizing vent breather to prevent seal fatigue and failure.

DRIVER - State-of-the-art driver technology superior energy-efficiency and optimum light output. Driver components are fully encased in potting for moisture resistance. Complies with IEC and FCC standards.

ADAPTOR PANEL - Die formed galvanized steel, with powder coat finish.

OPERATING TEMPERATURE - -40°C to 50°C (-40°F to +122°F)

ELECTRICAL - Universal voltage power supply, 120-277 VAC, 50/60 HZ input. Drivers feature two-stage surge protection (including separate surge protection built into electronic driver) meets IEEE C62.41.2-2002, Scenario 1, Location Category C.

FINISH - Standard color is white and is finished with LSI's DuraGrip polyester powder coat process. DuraGrip withstands extreme weather changes without cracking or peeling.

INSTALLATION - Pre-assembled optical unit and mounting panel attaches to fixture housing via 4 fasteners. Driver is pre-mounted to back of optical assembly.

SHIPPING WEIGHT - 35 pounds.

EXPECTED LIFE - Minimum 60,000 to 100,000 hours depending upon the ambient temperature of the installation location. See LSI web site for specific guidance.

WARRANTY - Limited 5-year warranty.

LISTING - UL listed to UL 1598, UL 8750 and other U.S. and International safety standards. Suitable for wet locations.

PHOTOMETRICS - Applications layouts are available upon request. Contact LSI Petroleum Lighting or petroleum.apps@lsi-industries.com

This product, or selected versions of this product, meet the standards listed below.

Please consult factory for your specific requirements.



Project Name _____ Fixture Type _____

Catalog # _____

09/09/14

© 2014

LSI INDUSTRIES INC.

LED SURFACE MOUNT - LEGACY™ (CRUS SM)

LUMINAIRE ORDERING INFORMATION

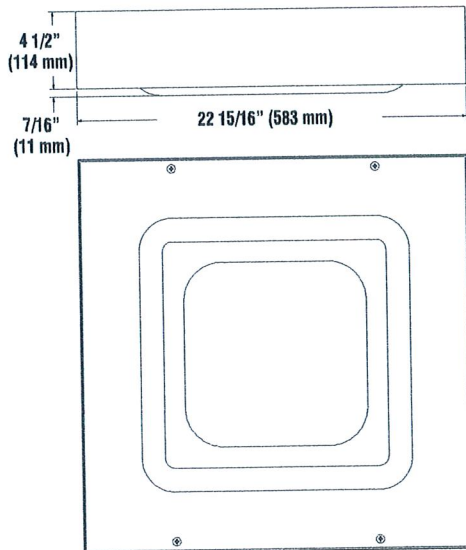
TYPICAL ORDER EXAMPLE: **CRUS SM SC LED SS CW UE WHT**

Prefix	Distribution	Light Source	Drive Current	Color Temperature	Input Voltage	Finish	Options
CRUS SM (Surface Mount)	SC - Standard Symmetric	LED	VLW - Very Low Watt LW - Low Watt SS - Super Saver	CW - Cool White	UE - Universal Voltage (120-277V) 480-480 Volt	WHT - White BRZ - Bronze BLK - Black	DFL - Diffused Lens

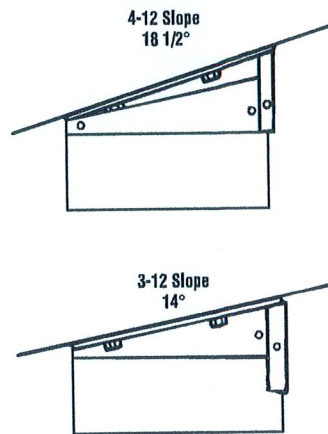
ACCESSORY ORDERING INFORMATION

Description	Order Number
SSA Slope Surface Adaptor	52152 CLR
2x2 Shallow Housing Only	545376
10' Toggle Cable Hanger	TCH10

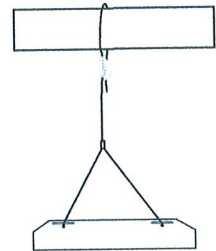
DIMENSIONS



SLOPE SURFACE ADAPTOR – SSA ACCESSORY



TOGGLE CABLE HANGER



LIGHT OUTPUT - CRUS SM							
		Lumens		Watts		LPW	
		SC	AC	SC	AC	SC	AC
Cool White	VLW - Very Low Watt	8,842	-	79	-	112	-
	LW - Low Watt	10,871	8746	88	83	124	105
	SS - Super Saver	13,554	11,518	114	111	119	104